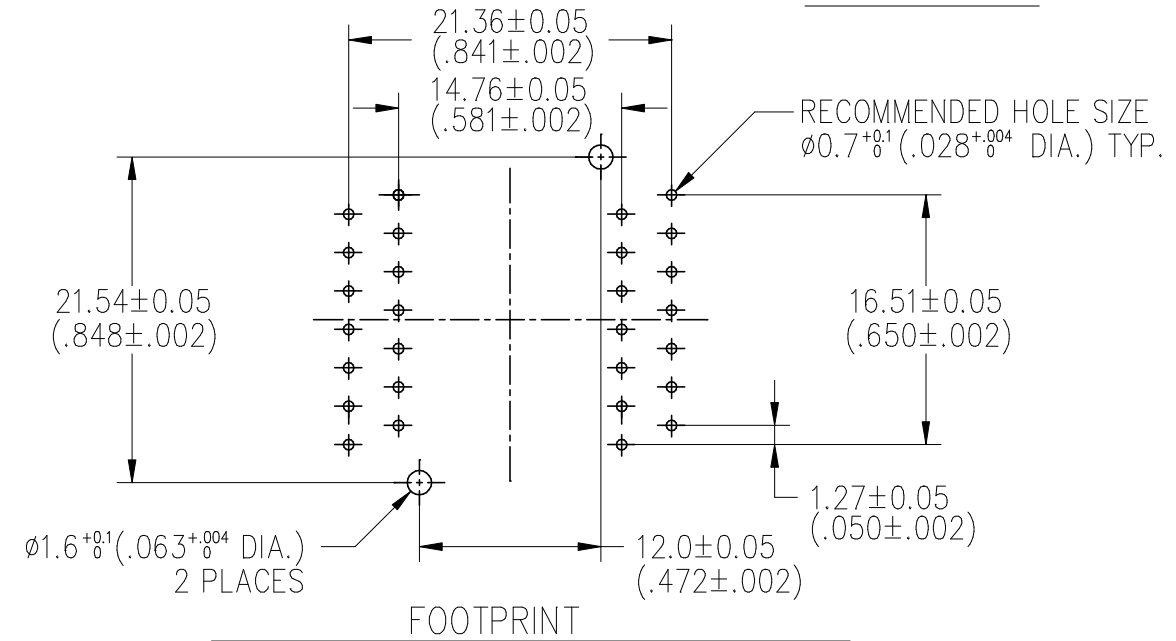
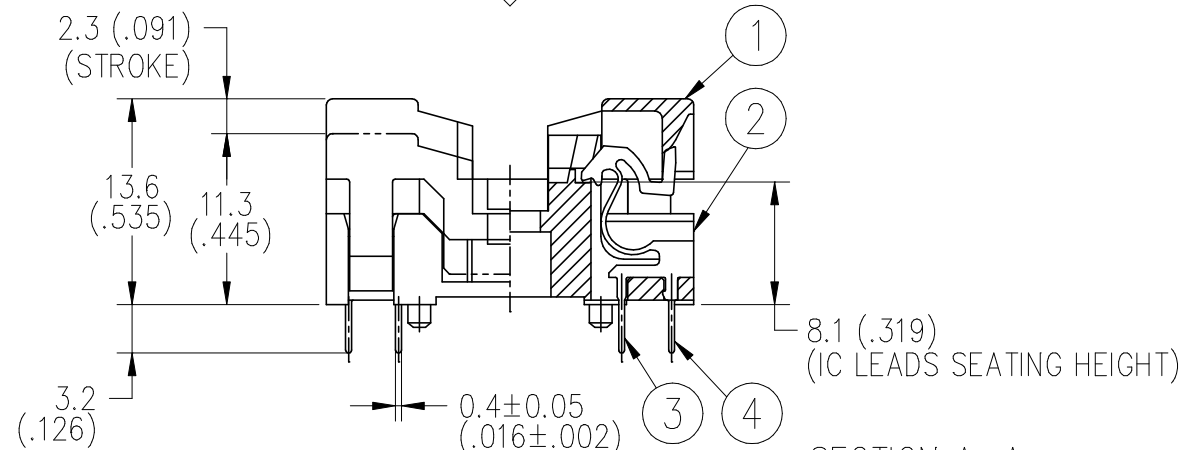
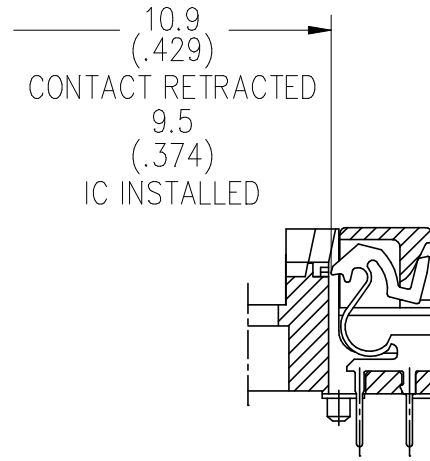
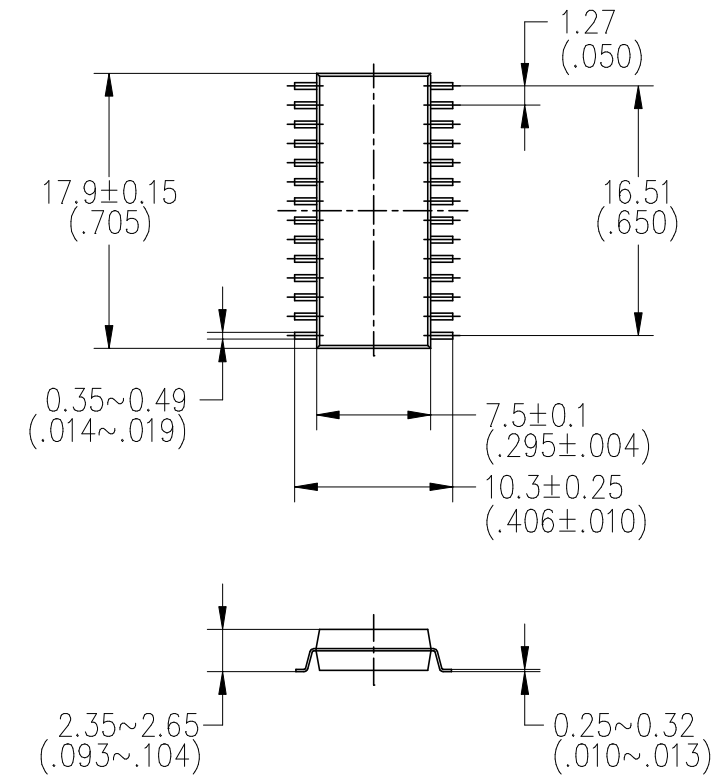
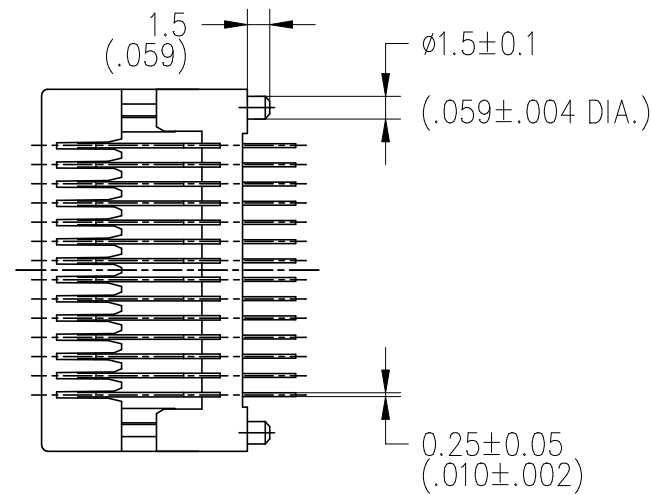
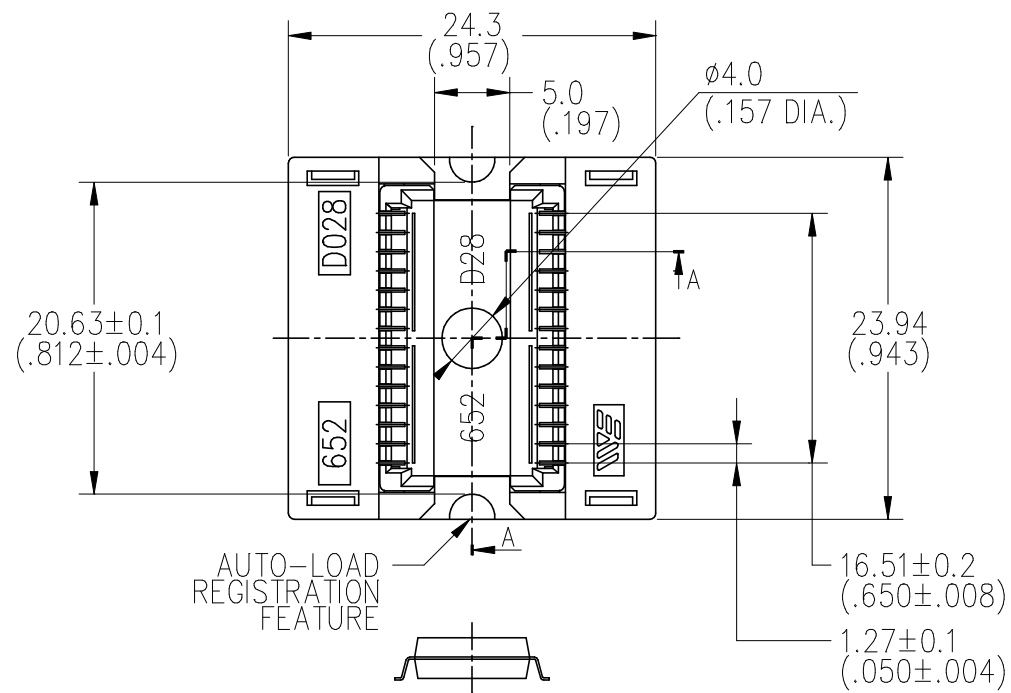


DATE	ECO NO	DESCRIPTION	BY
Nov 16 1994	CDN 94091		M,I



RECOMMENDED IC REF)

Performance.

1. Insulation Resistance : 1000 MΩ min. at 500V.D.C
2. Dielectric Withstanding Voltage : 600 V.A.C (RMS)
3. Contact Resistance : 30 mΩ max. at 20 mV max.
4. Temperature Range : -40°C ~ +150°C

④	CONTACT- (2)	Be Cu	14	PLATING : Au
③	CONTACT- (1)	Be Cu	14	PLATING : Au
②	BASE-28P	PEI	1	COLOR : BLACK
①	COVER-28P	PEI	1	COLOR : BLACK
P.NO	PART DESCRIPTION	MATERIAL	QTY	NOTE
GENERAL TOLERANCES ±0.3 (±.012)				
UNIT	SCALE	ANGLE	 WELLS JAPAN LIMITED ウエルズ・ジャパン株式会社	
mm (in.)	2/1	3rd.		
DRAWN	/	/		
CHECKED	/	/		
APPROVED	/	/	TITLE SOP 28P SOCKET DWG NO. 652D0282211-002	

FOOTPRINT AS VIEWED LOOKING DOWN FROM TOP OF SOCKET